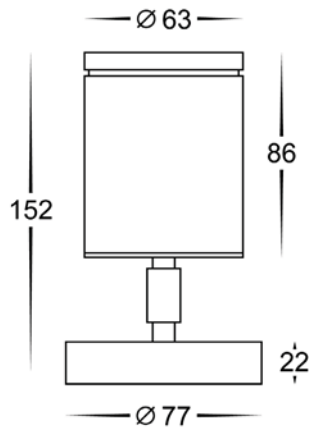


# ADJUSTABLE WALL LIGHTS

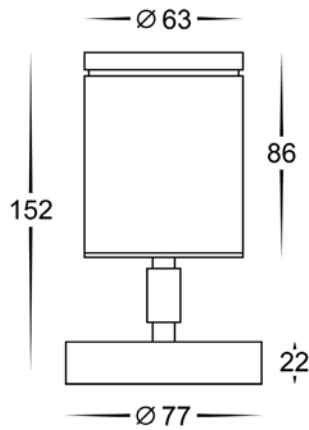




**LLHAV-HV1201**  
HIGH OUTPUT REFLECTOR  
INCLUDES STAINLESS STEEL BACKING PLATE  
240V GU10 50W MAX  
SUPPLIED WITH 1X35W GLOBE  
CAN BE USED WITH LED GLOBES



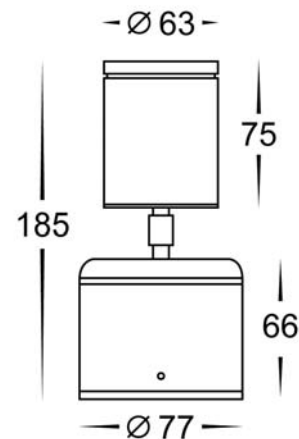
IP66



**LLHAV-HV1202**  
12V MR16 50W MAX  
SUPPLIED WITH 1X20W GLOBES  
CAN BE USED WITH LED GLOBES



IP66

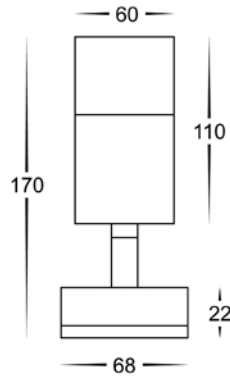


**LLHAV-HV1203**  
INCLUDES STAINLESS STEEL BACKING PLATE  
12V MR16 50W MAX  
BUILT IN TRANSFORMER  
SUPPLIED WITH 1X20W GLOBES  
CAN BE USED WITH LED GLOBES



IP66

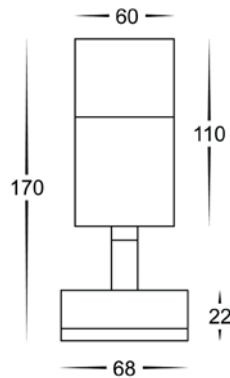




**LLHAV-HV1204**  
HIGH OUTPUT REFLECTOR  
INCLUDES STAINLESS STEEL BACKING PLATE  
240V GU10 50W MAX  
SUPPLIED WITH 1X1 3W GLOBE  
CAN BE USED WITH LED GLOBES  
OR ESPAR 13W ESL



IP66

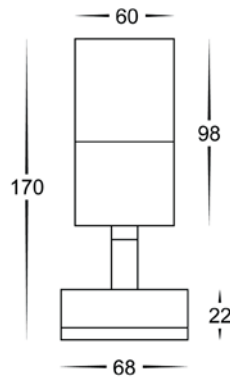


**LLHAV-HV1206**  
HIGH OUTPUT REFLECTOR  
INCLUDES STAINLESS STEEL BACKING PLATE  
240V GU10 50W MAX  
SUPPLIED WITH 1X35W GLOBES  
CAN BE USED WITH LED GLOBES  
OR ESPAR 13W ESL  
SUPPLIED WITH 1X13W ENERGY SAVING GLOBE



IP66

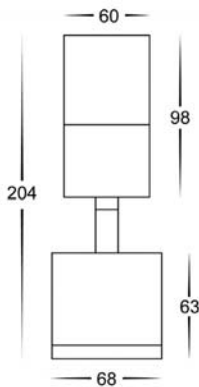




**LLHAV-HV1207**  
HIGH OUTPUT REFLECTOR  
INCLUDES STAINLESS STEEL BACKING PLATE  
12V MR16 50W MAX  
SUPPLIED WITH 1X20W GLOBE  
CAN BE USED WITH LED GLOBES



IP66

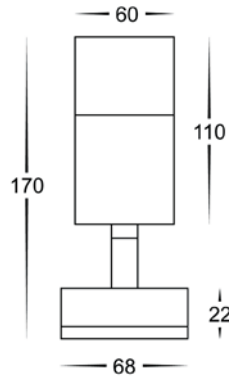


**LLHAV-HV1208**  
HIGH OUTPUT REFLECTOR  
INCLUDES STAINLESS STEEL BACKING PLATE  
12V MR16 50W MAX  
SUPPLIED WITH 1X20W GLOBES  
CAN BE USED WITH LED GLOBES



IP66

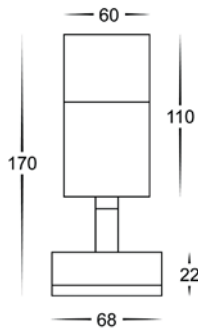




**LLHAV-HV1214**  
HIGH OUTPUT REFLECTOR  
SOLID COPPER BODY  
INCLUDES BACKING PLATE  
240V GU10 50W MAX  
SUPPLIED WITH 1X13W GLOBE  
CAN BE USED WITH LED GLOBES  
OR ESPAR 13W ESL



IP66



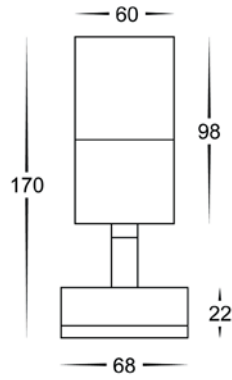
**LLHAV-HV1216**  
HIGH OUTPUT REFLECTOR  
SOLID COPPER BODY  
INCLUDES BACKING PLATE  
240V GU10 50W MAX  
SUPPLIED WITH 1X35W GLOBES  
CAN BE USED WITH LED GLOBES  
OR ESPAR 13W ESL



IP66



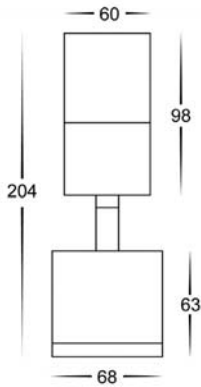
tivah



**LLHAV-HV1217**  
HIGH OUTPUT REFLECTOR  
INCLUDES BACKING PLATE  
SOLID COPPER BODY  
12V MR16 50W MAX  
SUPPLIED WITH 1X20W GLOBE  
CAN BE USED WITH LED GLOBES



IP66

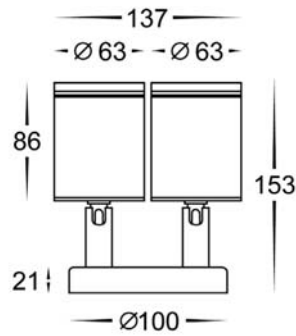


**LLHAV-HV1218**  
HIGH OUTPUT REFLECTOR  
INCLUDES BACKING PLATE  
SOLID COPPER BODY 12V MR16 50W MAX  
BUILT IN REPLACEABLE ELECTRONIC  
TRANSFORMER SUPPLIED WITH 1X20W GLOBE  
CAN BE USED WITH LED GLOBES



IP66

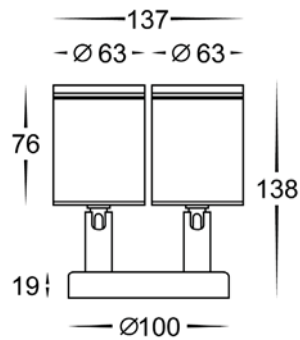




**LLHAV-HV1301**  
INCLUDES STAINLESS STEEL BACKING PLATE  
240V GU10 2X50W MAX  
SUPPLIED WITH 2X35W GLOBE  
CAN BE USED WITH LED GLOBES



IP66

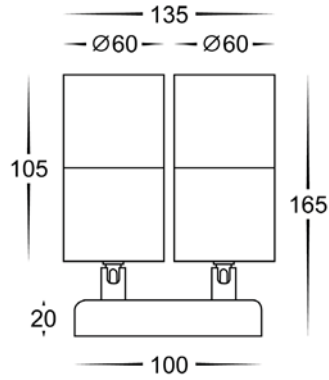


**LLHAV-HV1302**  
12V MR16 2X50W MAX  
SUPPLIED WITH 2X20W GLOBES  
CAN BE USED WITH LED GLOBES



IP66

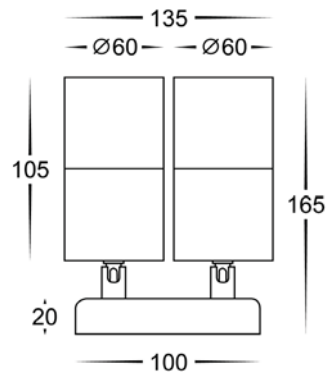




**LLHAV-HV1207**  
INCLUDES STAINLESS STEEL BACKING PLATE  
12V MR16 2X35W MAX  
SUPPLIED WITH 2X20W GLOBE  
BUILT IN TRANSFORMER  
CAN BE USED WITH LED GLOBES



IP66

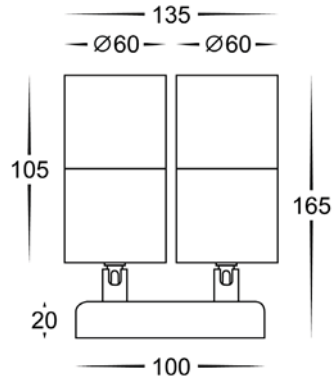


**LLHAV-HV1304**  
HIGH OUTPUT REFLECTOR  
INCLUDES STAINLESS STEEL BACKING PLATE  
240V GU10 2X50W MAX  
SUPPLIED WITH 2X13W GLOBES  
CAN BE USED WITH LED GLOBES  
OR ESPAR 13W ESL



IP66

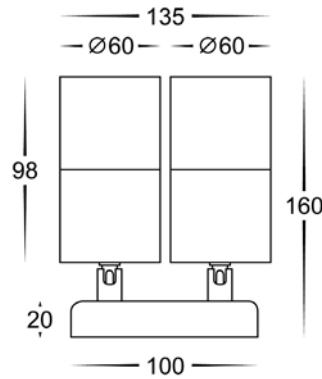




**LLHAV-HV1306**  
HIGH OUTPUT REFLECTOR  
INCLUDES STAINLESS STEEL BACKING PLATE  
240V GU10 2X50W MAX  
SUPPLIED WITH 2X35W GLOBE  
CAN BE USED WITH LED GLOBES  
OR ESPAR 13W ESL



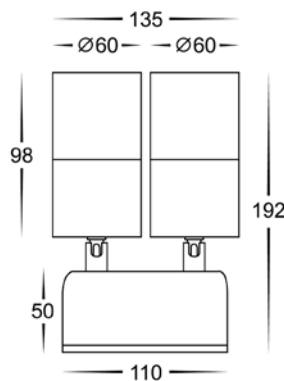
IP66



**LLHAV-HV1307**  
HIGH OUTPUT REFLECTOR  
12V MR16 2X50W MAX  
SUPPLIED WITH 2X20W GLOBES  
CAN BE USED WITH LED GLOBES



IP66

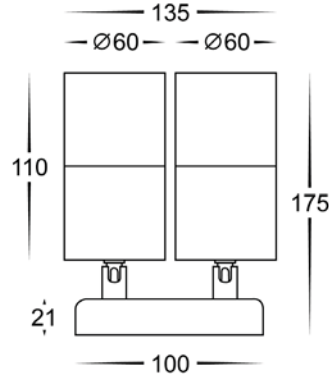


**LLHAV-HV1308**  
HIGH OUTPUT REFLECTOR  
INCLUDES STAINLESS STEEL BACKING PLATE  
12V MR16 2X35W MAX  
SUPPLIED WITH 2X20W GLOBES  
CAN BE USED WITH LED GLOBES  
BUILT IN REPLACEABLE ELECTRONIC  
TRANSFORMER



IP66

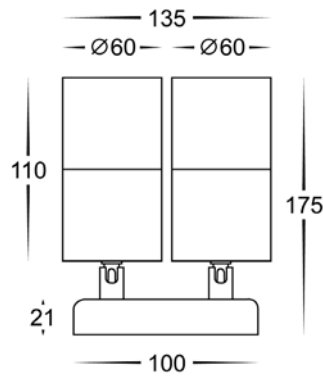




**LLHAV-HV1314**  
HIGH OUTPUT REFLECTOR  
SOLID COPPER BODY  
INCLUDES BACKING PLATE  
240V GU10 2X50W MAX  
SUPPLIED WITH 2X13W GLOBES  
CAN BE USED WITH LED GLOBES  
OR ESPAR 13W ESL



IP66

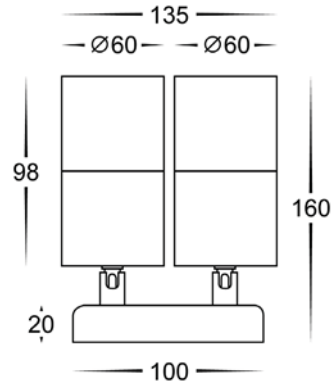


**LLHAV-HV1316**  
HIGH OUTPUT REFLECTOR  
SOLID COPPER BODY  
INCLUDES BACKING PLATE  
240V GU10 2X50W MAX  
SUPPLIED WITH 2X35W GLOBES  
CAN BE USED WITH LED GLOBES  
OR ESPAR 13W ESL



IP66

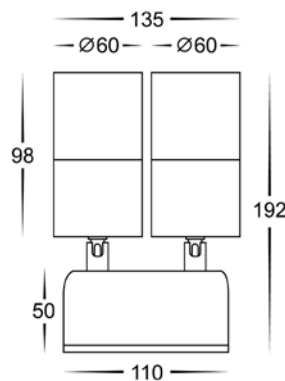




**LLHAV-HV1317**  
HIGH OUTPUT REFLECTOR  
SOLID COPPER BODY  
12V MR16 2X50W MAX  
SUPPLIED WITH 2X20W GLOBE  
CAN BE USED WITH LED GLOBES



IP66



**LLHAV-HV1318**  
HIGH OUTPUT REFLECTOR  
INCLUDES BACKING PLATE  
SOLID COPPER BODY  
12V MR16 2X35W MAX  
BUILT IN REPLACEABLE ELECTRONIC  
TRANSFORMER SUPPLIED WITH 2X20W GLOBE  
CAN BE USED WITH LED GLOBES

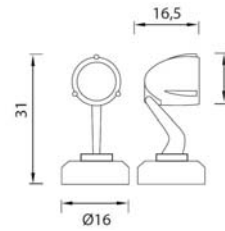


IP66





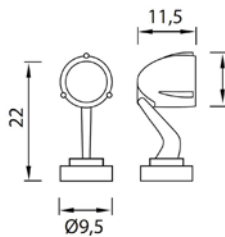
□ The Alien lights adapt to all kinds of outdoor environments and lighting requirements, thanks to the large variety of available lamps. Alien can also be turned in all directions.



**LLUE-05-9297-34-37**  
Grey

**LLUE-05-9297-Z5-37**  
Urban Grey

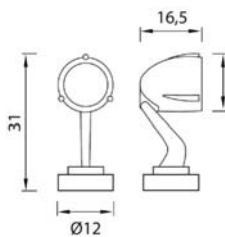
LAMP OPTIONS:  
GX 8.5 70W HALOGEN  
VOSSLOH INCLUDED



**LLUE-05-9327-34-37**  
Grey

**LLUE-05-9327-Z5-37**  
Urban Grey

LAMP OPTIONS:  
GU-10 MAX. 50W  
GU-10 MAX. 11W  
FLUORESCENT  
GU-10 MAX. 5W LED



**LLUE-05-9296-34-37**  
Grey

**LLUE-05-9296-Z5-37**  
Urban Grey

LAMP OPTIONS:  
E-27 100W-HAL  
PAR-30 E-27 MAX. 75W  
PAR-30 E-27 MAX. 15W  
FLUORESCENT



IP 65



alien

	All lighting fixtures bearing this symbol are suitable for installation on normally inflammable surfaces.		Manufactured according to the set safety and electromagnetism standards of Europe
	All lighting fixtures bearing this symbol are unsuitable for installation on normally inflammable surfaces.		Steel
	All light fittings bearing this symbol are Class I models. These light fittings have only basic isolation and therefore must be connected to the earthing system of the residential dwelling.		PVC
	All lighting fixtures bearing this symbol are of Class II. No metal part of Class II fixtures shall be connected to the ground connection of the home installation.		Ballast included
	This symbol indicates the minimum distance to be left between the focus of the lighting fixture and the lighted object.		Ballast needed, but not included.
	Resistance to incandescent wire at 850°C.		Fabric
	Registered models.		Optic glass
	Check availability.		Transformer included.
	Energy saving.		Transformer needed, but not included.
	All light fittings bearing this symbol are protected against water projections.		Zamak
	Dust-tight lamp, protected against water jets.		Electronic ballast included.
	Lamp protected against ingress of solid objects greater than 12mm.		PMMA
	Dust-tight lamp and protected against the effects of prolonged immersion in water and at depth.		Protection against electrical shocks includes other measures based on a very low voltage through a security transformer, without generating higher voltages
	Lamp protected against ingress of dust and against splashing water.		Class 1.
	Halo light direction.		Adjustable from 0° to 50° on the horizontal axis.
	Aluminum		Adjustable +180°/-15° on the horizontal axis.
			Adjustable from 0° to 350° on the vertical axis.
			Adjustable +/- 20° on the horizontal axis.



- » All products supplied by Limelight are sourced from third parties.
- » Limelight Illumination refers to their general terms of trade on all orders.
- » The description and dimensions of the items in this catalogue are indicative and may be modified for the purpose of technical or design improvements by the manufacturer.
- » The manufacturer of the listed products reserves the right to cancel or change all models without prior notice.
- » Do not use stronger bulbs than recommended and always clean lamps with a soft dry cloth alone since metal polish will damage protective finish.
- » Please allow 8-10 weeks for orders to be received. Some goods may have shorter despatch times. Please enquire with a sales consultant regarding each individual product.
- » Prices are for product only and based on customer pickups from our showroom. Should you require delivery this is a separate charge.
- » Please request our terms of trade for further information on our operations.

Tel: +61 2 9371 9976

Fax: +61 2 9328 2925

Email: [sales@lli.com.au](mailto:sales@lli.com.au)

Web: [www.lli.com.au](http://www.lli.com.au)

Address: Studio 5, 716 New South Head Road,  
Rose Bay NSW 2029, Australia

Showroom hours: Monday – Friday 9.00am – 5.30pm

# contacts