



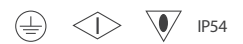
EXTERNAL
BOLLARDS



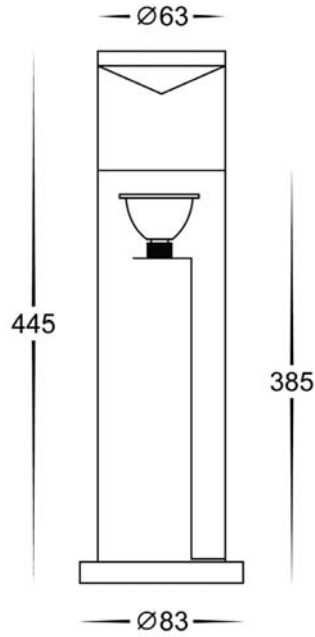
LLUE-DOX-201.11.02 G9230v
LLUE-DOX-202149.02 G23 TC-S 230v
KING OTTO 450
ALU GREY COATED OPTIONAL BASE PLATE



LLUE-DOX-202.11.02 G9230v
LLUE-DOX-202.49.02 G23 TC-S 230v
KING OTTO 1000 H-PIN MAX 40W
230V ALU GREY COATED
OPTIONAL BASE PLATE



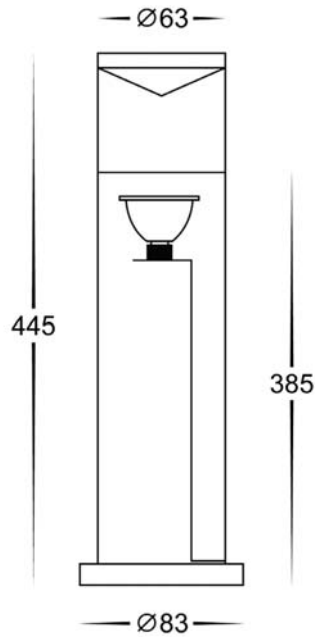
king otto



LLHAV-HV1601
SOLID GLASS DIFFUSER RAISED LAMP HEIGHT
240V GU10 50W MAX 445MM HEIGHT
12V 50W MAX
SUPPLIED WITH 1X35W GLOBE
CAN BE USED WITH LED GLOBES
OR ESPAR 13W ESL



IP65

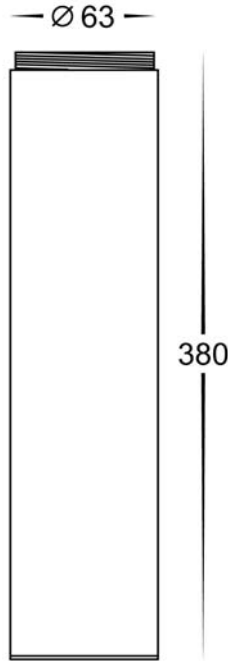


LLHAV-HV1602
SOLID GLASS DIFFUSER RAISED LAMP HEIGHT
12V MR16 50W MAX 445MM HEIGHT
12V 50W MAX
SUPPLIED WITH 20W GLOBE
CAN BE USED WITH LED GLOBES
(HV9583, HV9316 OR HV9505)



IP65





LLHAV-HV1603
HEIGHT LIGHT BOLLARD EXTENSION
380MM TOTAL EXTENSION HEIGHT
SUPPLIED WITH 20W GLOBE
CAN BE USED TO EXTEND HV1601 OR HV1602



IP65

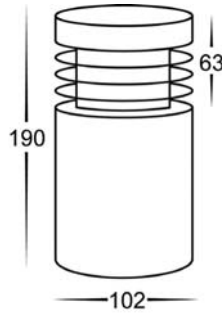


LLHAV-HV1604
OPAL DIFFUSER RAISED LAMP HEIGHT
12V MR16 50W MAX 350MM HEIGHT
SUPPLIED WITH 20W GLOBE
CAN BE USED WITH LED GLOBES
(HV9583, HV9316 OR HV9505)



IP65

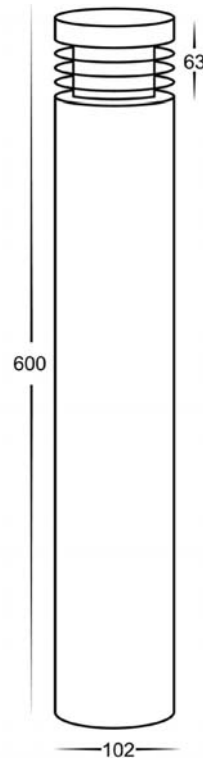




LLHAV-HV1605
OPAL DIFFUSER
INCLUDES STAINLESS STEEL BASE PLATE
190MM HEIGHT 240V E27 15W MAX



IP54

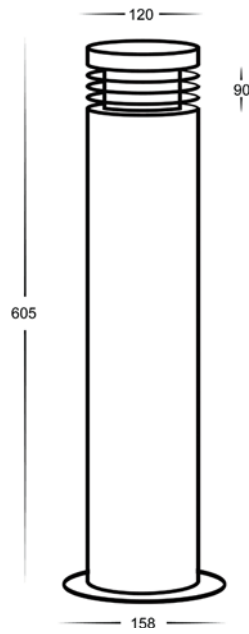


LLHAV-HV1606
OPAL DIFFUSER
INCLUDES STAINLESS STEEL BASE PLATE
600MM HEIGHT 240V E27 15W MAX



IP54

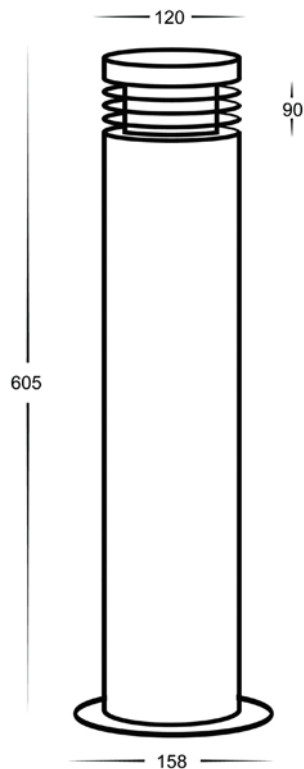




LLHAV-HV1626-white
SOLID WHITE GRANITE STONE
OPAL DIFFUSER
INCLUDES STAINLESS STEEL BASE PLATE
605MM HEIGHT
240V E27 15W MAX



IP54

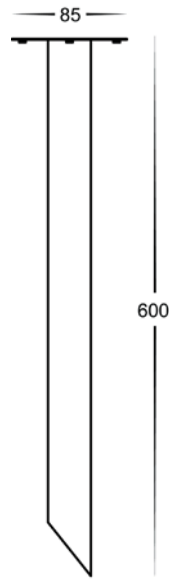


LLHAV-HV1636-green
SOLID GREEN STONE
OPAL DIFFUSER
INCLUDES STAINLESS STEEL BASE PLATE
605MM HEIGHT
240V E27 15W MAX



IP54





- 32 -

LLHAV-HV1607
INCLUDES STAINLESS STEEL BASE PLATE
400MM HEIGHT
TO SUIT HV1605 & HV1606



IP54



LLHAV-HV1611
OPAL DIFFUSER
INCLUDES STAINLESS STEEL BASE PLATE
1006MM HEIGHT
240V E27 21W MAX



IP54



tivah



□ Garden bollard available in urban grey aluminium with polycarbonate transparent diffuser Ø160 x H 810mm.

LLUE-55-9125-Z5-M2

IP54 E-27 100W MEZCLA E-27 MAX. 160W PL
ELECT E-27 MAX. 23W



IP 54



mercurio



All lighting fixtures bearing this symbol are suitable for installation on normally inflammable surfaces.



All lighting fixtures bearing this symbol are unsuitable for installation on normally inflammable surfaces.



All light fittings bearing this symbol are Class I models. These light fittings have only basic isolation and therefore must be connected to the earthing system of the residential dwelling.



All lighting fixtures bearing this symbol are of Class II. No metal part of Class II fixtures shall be connected to the ground connection of the home installation.



This symbol indicates the minimum distance to be left between the focus of the lighting fixture and the lighted object.



Resistance to incandescent wire at 850°C.



Registered models.



Check availability.



Energy saving.



IP 44

All light fittings bearing this symbol are protected against water projections.

IP 65

Dust-tight lamp, protected against water jets.

IP 20

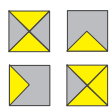
Lamp protected against ingress of solid objects greater than 12mm.

IP 68

Dust-tight lamp and protected against the effects of prolonged immersion in water and at depth.

IP 54

Lamp protected against ingress of dust and against splashing water.



Halo light direction.



Aluminum



Manufactured according to the set safety and electromagnetism standards of Europe



Steel



PVC



Ballast included



Ballast needed, but not included.



Fabric



Optic glass



Transformer included.



Transformer needed, but not included.



Zamak



Electronic ballast included.



PMMA



Protection against electrical shocks includes other measures based on a very low voltage through a security transformer, without generating higher voltages



Class 1.



Adjustable from 0° to 50° on the horizontal axis.



Adjustable +180°/-15° on the horizontal axis.



Adjustable from 0° to 350° on the vertical axis.



Adjustable +/- 20° on the horizontal axis.

legend

- » All products supplied by Limelight are sourced from third parties.
- » Limelight Illumination refers to their general terms of trade on all orders.
- » The description and dimensions of the items in this catalogue are indicative and may be modified for the purpose of technical or design improvements by the manufacturer.
- » The manufacturer of the listed products reserves the right to cancel or change all models without prior notice.
- » Do not use stronger bulbs than recommended and always clean lamps with a soft dry cloth alone since metal polish will damage protective finish.
- » Please allow 8-10 weeks for orders to be received. Some goods may have shorter despatch times. Please enquire with a sales consultant regarding each individual product.
- » Prices are for product only and based on customer pickups from our showroom. Should you require delivery this is a separate charge.
- » Please request our terms of trade for further information on our operations.

Tel: +61 2 9371 9976

Fax: +61 2 9328 2925

Email: sales@lli.com.au

Web: www.lli.com.au

Address: Studio 5, 716 New South Head Road,
Rose Bay NSW 2029, Australia

Showroom hours: Monday – Friday 9.00am – 5.30pm

contacts